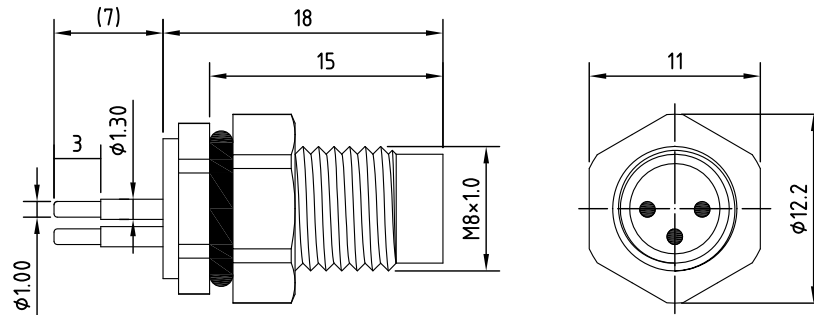


REV.	Description	Date
1	rated voltage revise	2018/10/5

Specification of connector

Locking system : screw M8
 Termination : DIP
 Shell protection : IP68
 Rated voltage : 125V
 Rated current : 5A
 Contact resistance : $\leq 10\text{m}\Omega$
 Insulation resistance : $>10\text{M}\Omega$



RoHS

TOLERANCE X \pm 0.5 .X \pm 0.3 .XX \pm 0.2

PART NO.	UT-SP209F1-3P-02	UT-SP209F1-4P-02
CONTACT ARRANGEMENT FRONT VIEW (MALE)		
PCB Layout		

4	Nut	PA	UL94V-0
3	O ring	Rubber	
2	Body	PA	UL94V-0
1	Pin	Brass	Gold plated
Item	Description	Material	Treat & Remark



Unicable Co., Ltd. 國陽電業有限公司

5F., No. 111-33, Sec. 4, San Ho Road., San Chung Dist., New Taipei City, Taiwan, R.O.C.
<http://www.unicable.com.tw> TEL:+886-2-2286-2122 FAX:+886-2-2286-1010

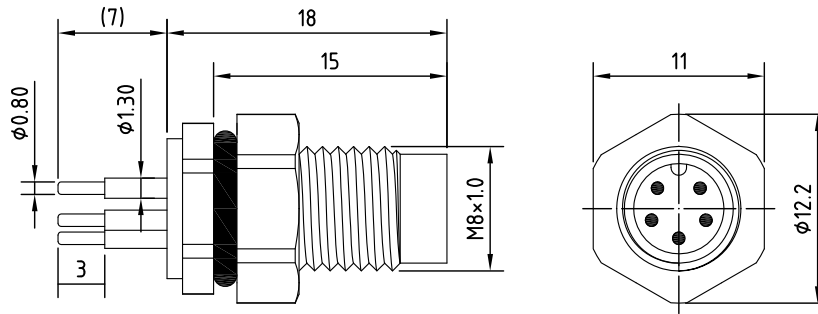
DATE	2018/10/5	PART NO.	UT-SP209F1-XP-02
DWN	GINA	REV.	1
CHK			
UNIT	MM		

ITEM	Sensor Connector M8(3-4PIN)
------	-----------------------------

REV.	Description	Date
1	rated voltage revise	2018/10/5

Specification of connector

Locking system : screw M8
 Termination : DIP
 Shell protection : IP68
 Rated voltage : 60V
 Rated current : 2A
 Contact resistance : $\leq 10\text{m}\Omega$
 Insulation resistance : $>10\text{M}\Omega$



RoHS

TOLERANCE X \pm 0.5 .X \pm 0.3 .XX \pm 0.2

PART NO.	UT-SP209F1-5P-02	UT-SP209F1-6P-02
CONTACT ARRANGEMENT FRONT VIEW (MALE)		
PCB Layout		

4	Nut	PA	UL94V-0
3	O ring	Rubber	
2	Body	PA	UL94V-0
1	Pin	Brass	Gold plated
Item	Description	Material	Treat & Remark



Unicable Co., Ltd. 國陽電業有限公司

5F., No. 111-33, Sec. 4, San Ho Road., San Chung Dist., New Taipei City, Taiwan, R.O.C.
<http://www.unicable.com.tw> TEL:+886-2-2286-2122 FAX:+886-2-2286-1010

DATE	2018/10/5	PART NO.	UT-SP209F1-XP-02
DWN	GINA	REV.	1
CHK			
UNIT	MM		

ITEM	Sensor Connector M8(5-6PIN)
------	-----------------------------